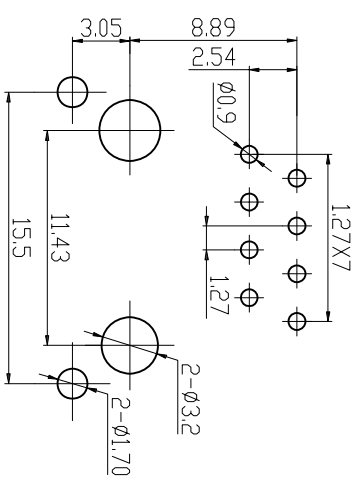
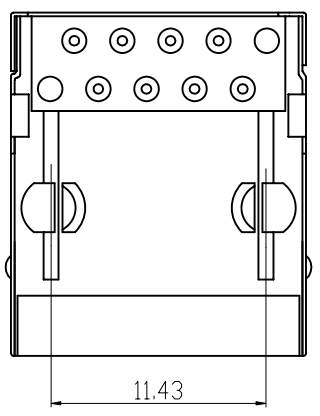
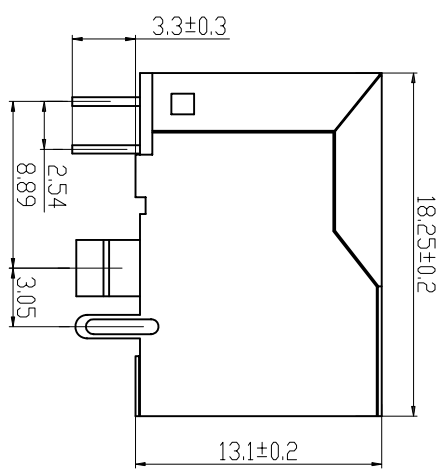
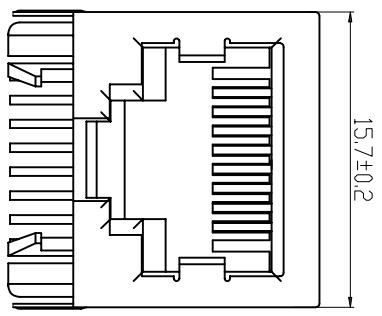


CATEGORY	DESCRIPTION	P/N #
CONNECTOR	Modular Jack, 10P8C, 1X1PORT	MJ5608-BX11-RF1

REV.	ECN NO	DESCRIPTION	REVISED	DATE
A01		New Release	GMC	2009.07.10



PC Board Layout

- SPECIFICATIONS:
1. Voltage: 150V AC RMS
 2. Current Rating: 1.5A
 3. Contact Resistance: 30mΩ MAX.
 4. Insulation Resistance: 500MΩ MIN.
 5. Dielectric Withstand Voltage :1000V AC
 6. Operatue Temperature: -40°C~80°C
 7. Durability: 500 Mating Cycles MIN.

Part No.: MJ5608-BX11-RF1

Material & Plating

X	Terminal Plating
0	Au 1u" Plating
1	Au 3u" Plating
2	Au 6u" Plating
3	Au 15u" Plating
4	Au 30u" Plating
5	Au 50u" Plating

c	Shielding	1	Brass	Ni Plating	
b	Terminal	8	Phosphor Bronze	Terminal Plating	
a	Housing	1	PBT UL94V-0	See Color Scheme	
NO.	PART NAME	Q'TY	MATERIAL	PLATING & COLOR	Remark

UNLESS OTHERWISE SPECIFIED TOLERANCES	DECIMALS:	ANGLES:
	X :±0.5	X :±2°
	XX :±0.3	XX :±1°
	XXX :±0.2	

Product Drawing
Dongguan Hejing Electronic Co.,LTD

SCALE:1/1	UNIT: mm	DWG.NO:	WI-061-751
SIZE: A3	PAGE:1 OF 1	REV:A01	
APPROVED BY	CHECKED BY	PREPARED BY	
TONY	WZ	WZ	
CUSTOMER COPY			